

Figure 8. Control cubicle assembly and manual speed control. (sheet 1 of 2) (Landscape)

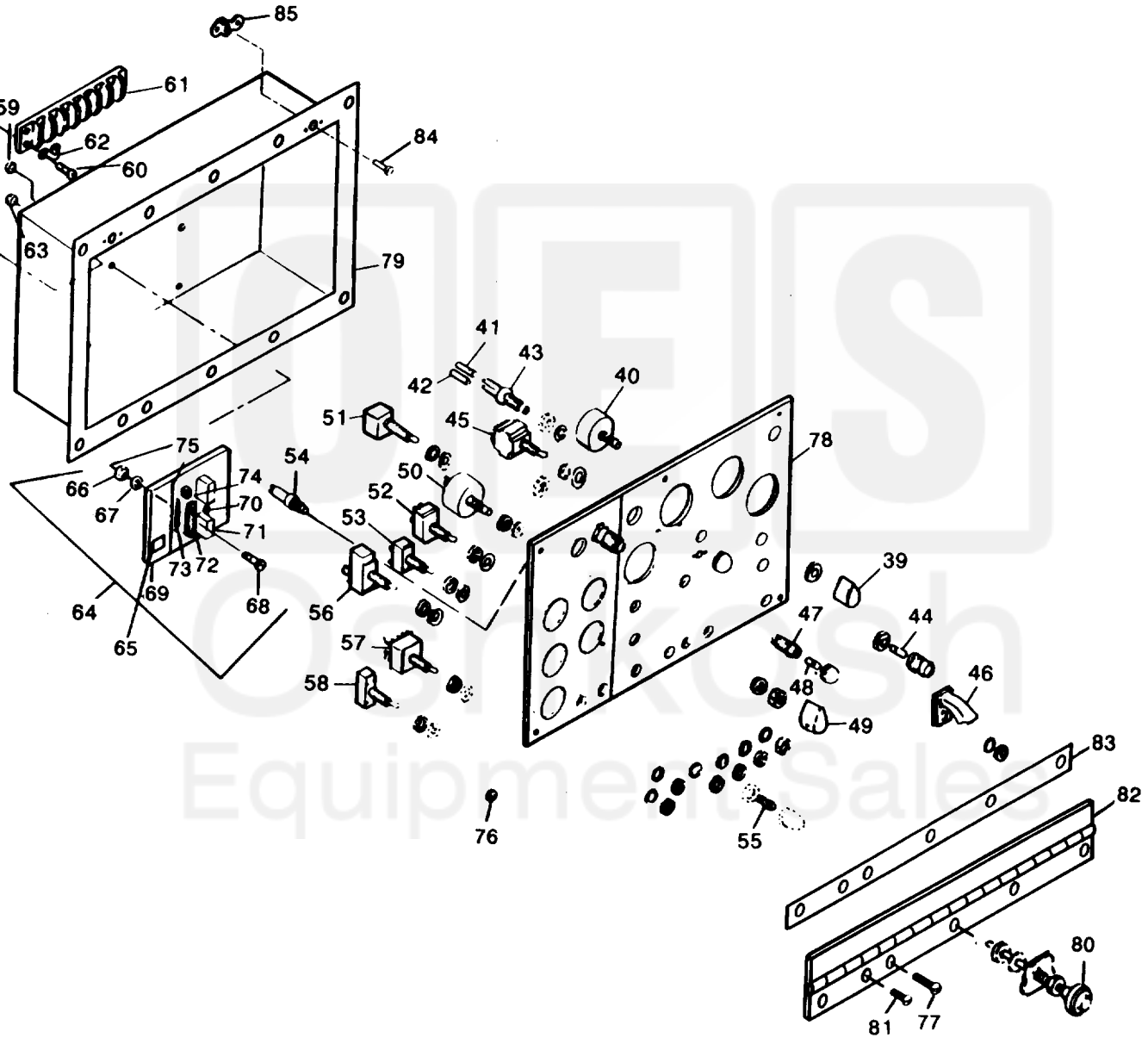


Figure 8. Control cubicle assembly and manual speed control. (sheet 2 of 2) (Landscape)

TWS-6115-465-24P
 NAVFAC P-8-625-24P
 SL-4-06858B/06859D

(1) ILLUSTRATION A	(2) SMR CODE A	(3) B	(4) NATIONAL STOCK NUMBER	(5) DESCRIPTION	(6) USABLE ON CODE	(7) QTY INC IN UNITS	(8) USMC QTY PER EQUIP					
FIG. NO.	ITEM NO.	ARMY	AIR FORCE	NAVY	USMC	SSI	REPL FACTOR	REF NUMBER & MFR CODE	U/M			
8	15	PAOZZ	PAOZZ	PBHZZ	PAFZZ		.030	6625-00-003-0975 METER, KILOWATT 70-4012 30554 260935 65092	EA	1	1	
8	16	PAOZZ	PAOZZ	PBHZZ	PAFZZ		.030	6625-00-004-8066 METER, CURRENT 69-597 30554 267842 65092	CLA, CLB CZN, CZM	EA	1	1
8	16	PAOZZ	PAOZZ	PBHZZ	PAFZZ		.030	6625-00-081-5840 METER, CURRENT 69-598 30554 254014 65092	CLC, DGG	EA	1	1
8	17	PAOZZ	PAOZZ	PBHZZ	PAFZZ		.030	6625-00-869-3144 METER, VOLTAGE 69-599 30554 254013 30554	EA	1	1	
8	18	PAOZZ	PAOZZ	XBGZZ	PAFZZ		.040	6210-00-935-6919 LIGHT, PANEL 69-593 30554 47-0901-2900-201 72619	EA	3	3	
8	19	PAOZZ	PAOZZ	PAOZZ	PAOZZ		.160	6240-00-155-7878 LAMP, INCANDESCENT 69-594 30554 686-30V 08805	EA	3	3	
8	20	PAOZZ	PAOZZ	PAGZZ	PAFZZ		.050	5930-00-214-0431 SWITCH, VOLT 70-4016 30554 31904LT 82121	EA	1	1	
8	21	PAOZZ	PAOZZ	PAGZZ	PAFZZ	D	.008	5310-00-052-3632 NUT WASHER ASSEMBLY: DOOR HOLDER MTG 69-561-3 30554 511-081800-00 78189	EA	2	54	
8	22	PAOZZ	PAOZZ	XBGZZ	PAFZZ		.008	5305-00-984-6193 SCREW, MACHINE: DOOR HOLDER MTG MS35206-245 96906	EA	2	15	
8	23	PAOZZ	PAOZZ	PAGZZ	PAFZZ	D	.010	5310-00-809-8544 WASHER, FLAT: DOOR HOLDER MTG MS27183-7 96906	EA	2	17	
8	24	XBOZZ	AFO	XBGZZ	MOOZZ			HOLDER, DOOR 69-763 30554	EA	2	2	
8	25	PAOZZ	PAOZZ	PAOZZ	PAOZZ	D	.007	4030-00-780-9350 HOOK, CHAIN: DOOR HOLDER MS87006-13 96906	EA	1	3	
8	26	PAOZZ	PAOZZ	PAGZZ	PAOZZ	D	.008	5940-00-115-2677 TERMINAL, LUG: DOOR HOLDER MS20659-14 96906	EA	2	4	
8	27	PAOZZ	PAOZZ	XBOZZ	PAOZZ	D	.123	4020-00-141-7152 ROPE, NYLON: DOOR HOLDER MLLR17343 81349	FT	2	7	
8	28	PAOZZ	PAOZZ	PAGZZ	PAFZZ	D	.008	5310-00-052-3632 NUT WASHER ASSEMBLY 69-561-3 30554 511-081800-00 78189	EA	4	54	
8	29	PAOZZ	PAOZZ	PAGZZ	PAOZZ	D	.008	5305-00-984-6193 SCREW, MACHINE: CONVERTER MTG MS35206-245 96906	EA	4	15	

